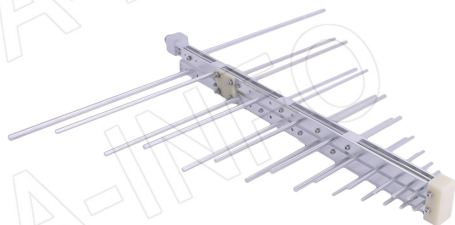
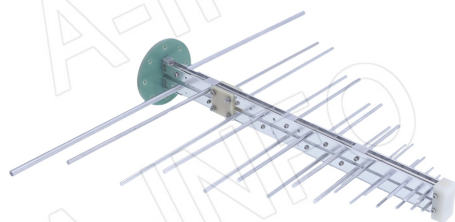


For reference only. See data sheet for the detailed specifications.

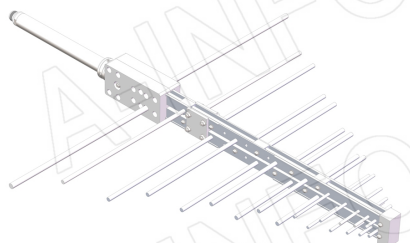
## Technical Specification



<b>P/N:DS-30100</b>	
Frequency Range(GHz)	0.3 - 1.0
Gain(dBi)	6 Typ.
Polarization	Linear
3dB Beamwidth(deg)	E Plane: 79 - 51
	H Plane: 145 - 108
VSWR	1.5:1 Typ. / 2.0:1 Max.
Output	N-Female
Average Power(W CW)	300
Peak Power(KW)	3
Material	Al
Size(mm)	550 x 51 x 495
Net Weight(Kg)	0.75 Around



<b>P/N:DS-30100C</b>	
Frequency Range(GHz)	0.3 - 1.0
Gain(dBi)	6 Typ.
Polarization	Linear
3dB Beamwidth(deg)	E Plane: 79 - 51
	H Plane: 145 - 108
VSWR	1.5:1 Typ. / 2.0:1 Max.
Output	N-Female
Average Power(W CW)	300
Peak Power(KW)	3
Material	Al
Size(mm)	550 x 100 x 487
Net Weight(Kg)	0.74 Around



<b>P/N:DS-30100E</b>	
Frequency Range(GHz)	0.3 - 1.0
Gain(dBi)	6 Typ.
Polarization	Linear
3dB Beamwidth(deg)	E Plane: 79 - 51
	H Plane: 145 - 108
VSWR	1.5:1 Typ. / 2.0:1 Max.
Output	N-Female
Average Power(W CW)	300
Peak Power(KW)	3
Material	Al
Size(mm)	550 x 52 x 729.2
Net Weight(Kg)	1.30 Around

**AINFO Inc.**

China(Beijing): Tel: (+86) 10-6266-7326,  
 China(Chengdu): Tel: (+86) 28-8519-2786,  
 USA : Tel: (+1) 949-639-9688,

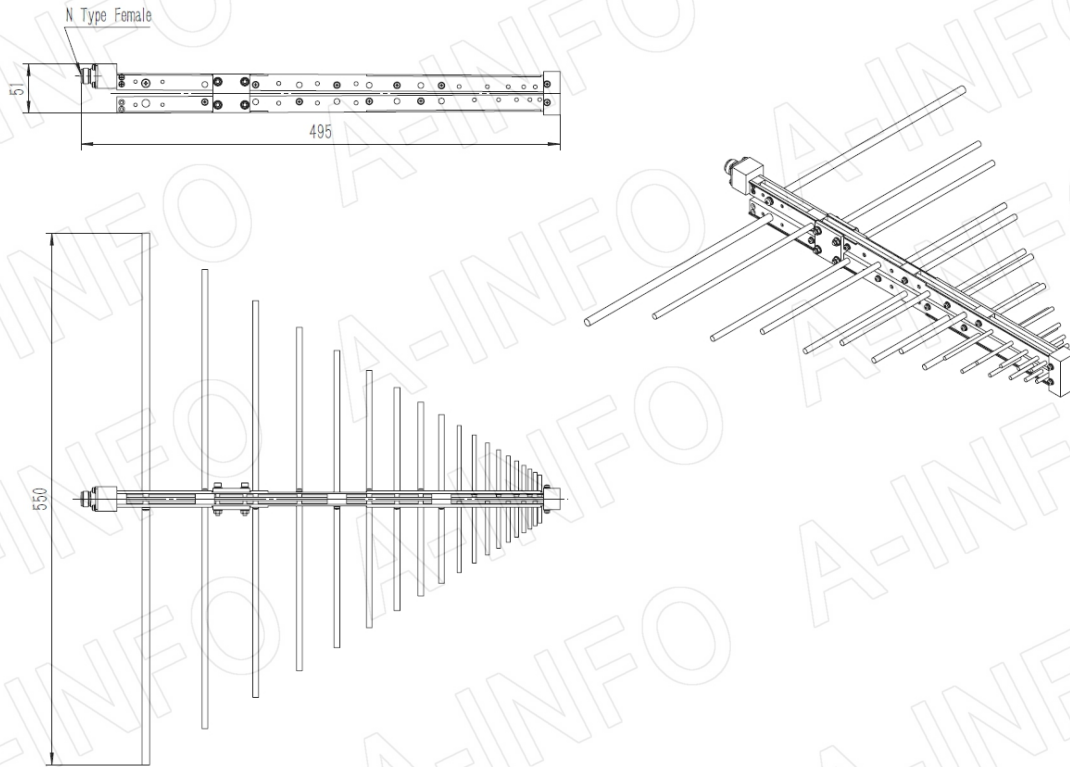
Page 1 of 7

(+86) 10-6266-7327 Fax: (+86) 10-6266-7379  
 (+86) 28-8519-3044 Fax: (+86) 28-8519-3068  
 (+1) 949-639-9608 Fax: (+1) 949-639-9670

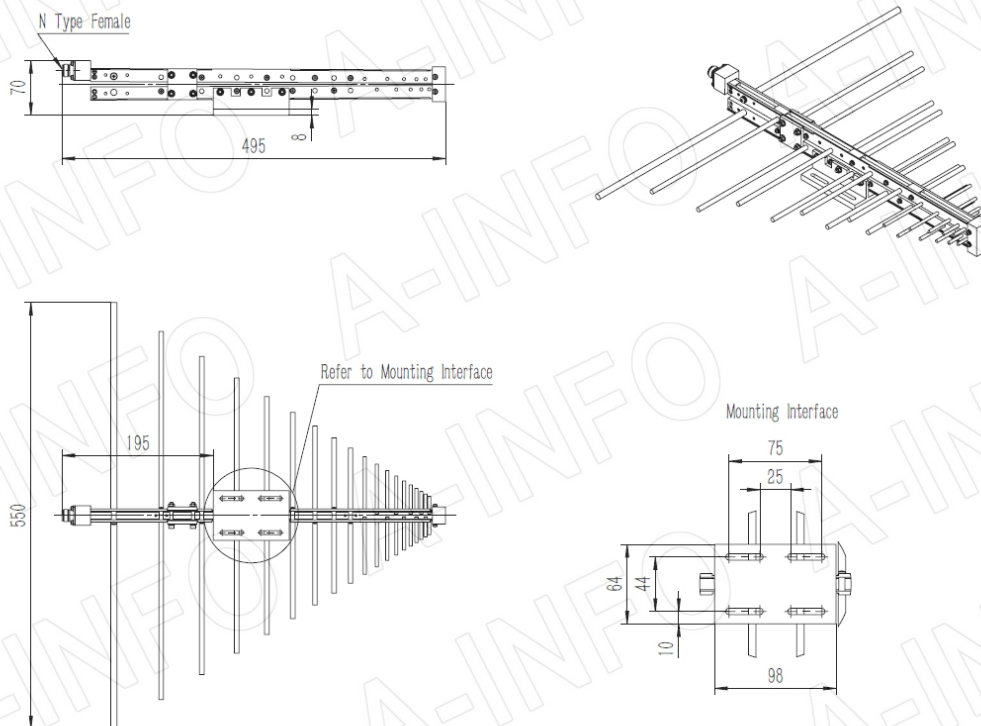
Website: [www.ainfoinc.com](http://www.ainfoinc.com)  
 Email: [sales@ainfoinc.com](mailto:sales@ainfoinc.com)

## Outline Drawing (Size: mm)

DS-30100 (P/N: DS-30100)



## DS-30100 with Mounting Bracket (Option, P/N: DS-30300-MB)



**AINFO Inc.**

China(Beijing):  
China(Chengdu):  
USA :

Tel: (+86) 10-6266-7326,  
Tel: (+86) 28-8519-2786,  
Tel: (+1) 949-639-9688,

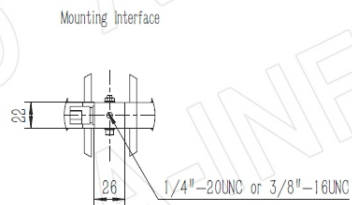
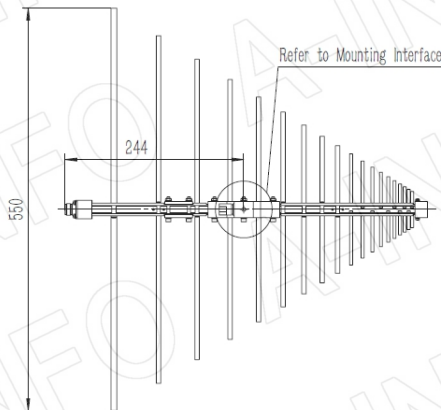
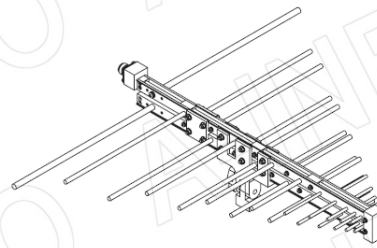
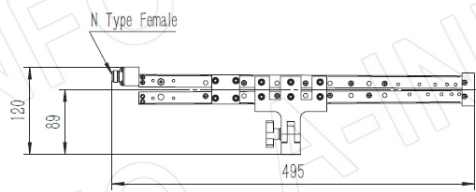
(+86) 10-6266-7327  
(+86) 28-8519-3044  
(+1) 949-639-9608

Page 2 of 7

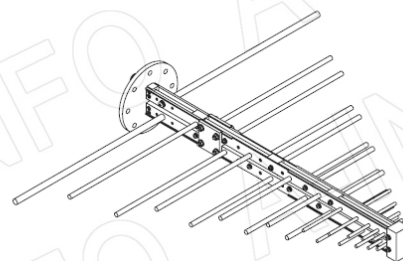
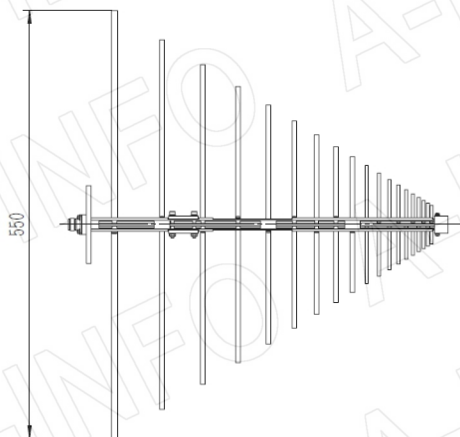
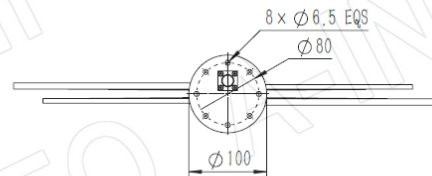
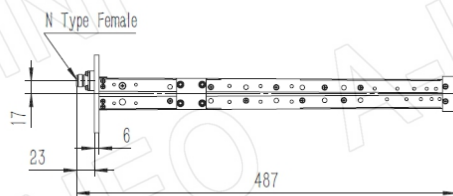
Fax: (+86) 10-6266-7379  
Fax: (+86) 28-8519-3068  
Fax: (+1) 949-639-9670

Website: [www.ainfoinc.com](http://www.ainfoinc.com)  
Email: [sales@ainfoinc.com](mailto:sales@ainfoinc.com)

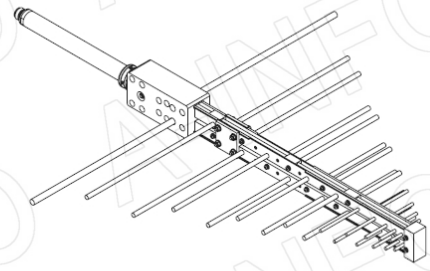
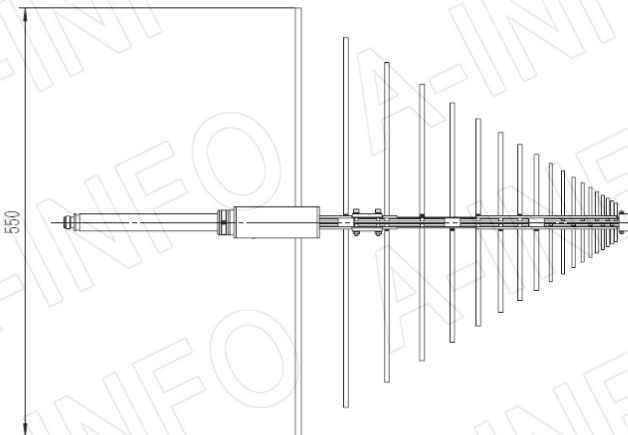
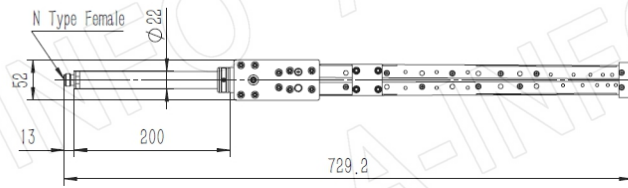
DS-30100 with Mounting Bracket for Tripod Application (Option, P/N: DS-30300-MBA)



DS-30100C (P/N: DS-30100C)



DS-30100E (P/N: DS-30100E)



**AINFO Inc.**

China(Beijing): Tel: (+86) 10-6266-7326,  
China(Chengdu): Tel: (+86) 28-8519-2786,  
USA : Tel: (+1) 949-639-9688,

Page 4 of 7

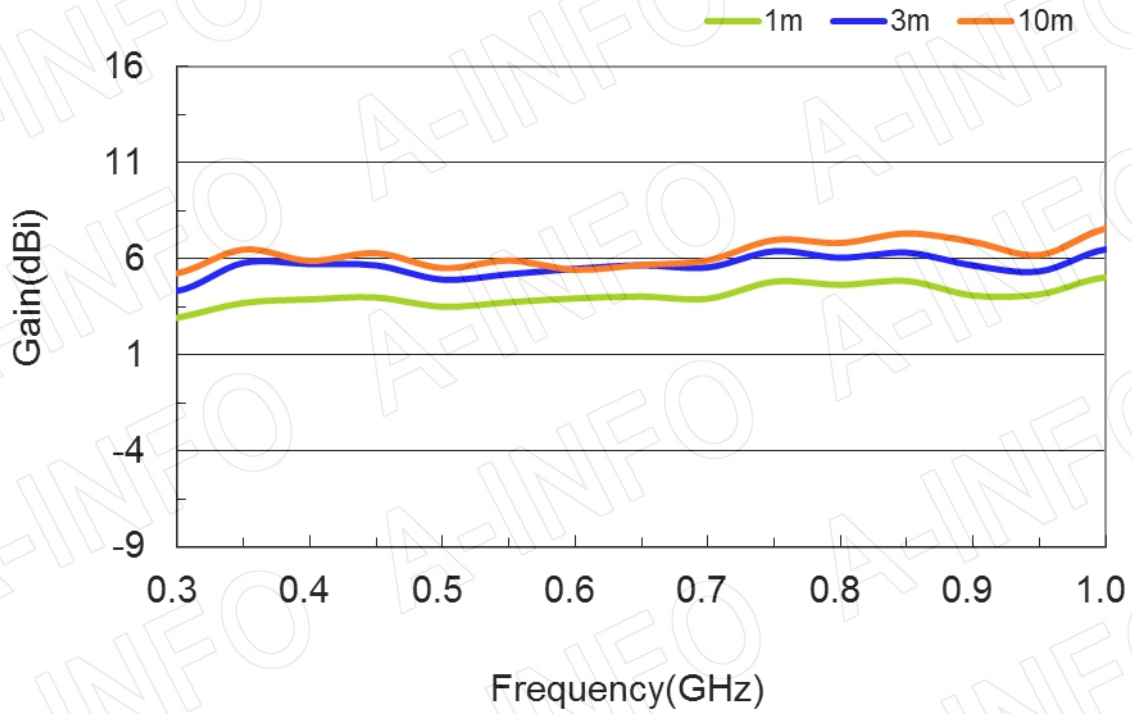
(+86) 10-6266-7327 Fax: (+86) 10-6266-7379  
(+86) 28-8519-3044 Fax: (+86) 28-8519-3068  
(+1) 949-639-9608 Fax: (+1) 949-639-9670

Website: [www.ainfoinc.com](http://www.ainfoinc.com)  
Email: [sales@ainfoinc.com](mailto:sales@ainfoinc.com)

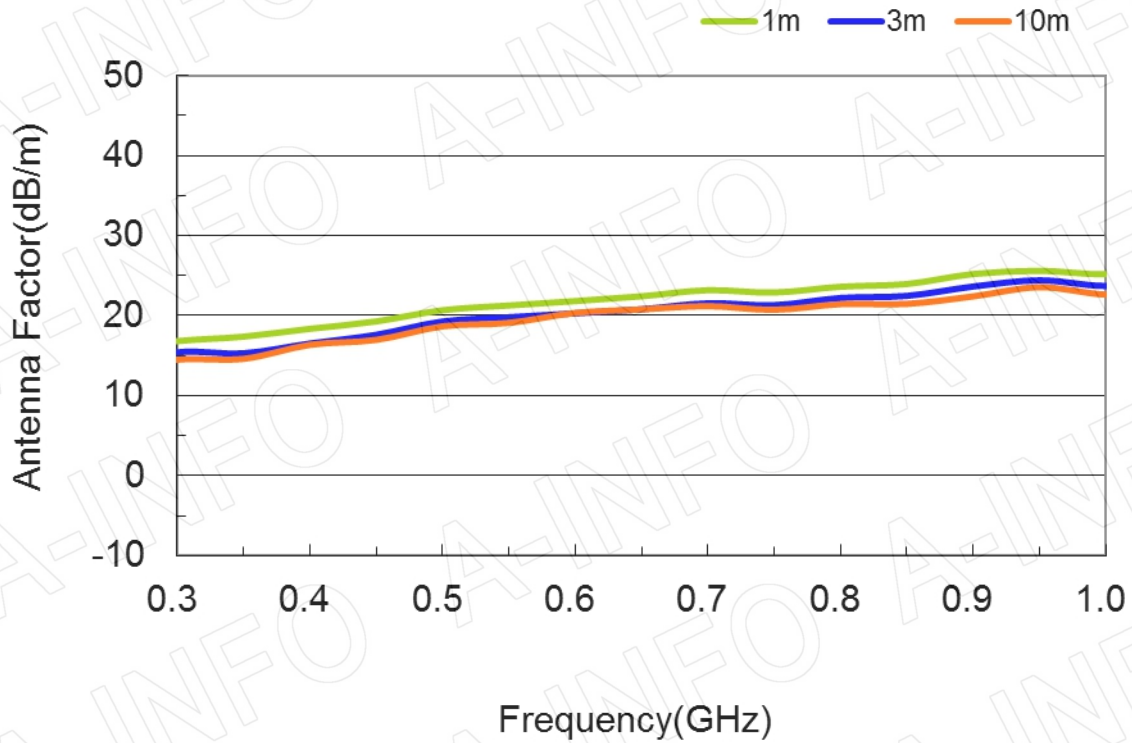


## Test Results

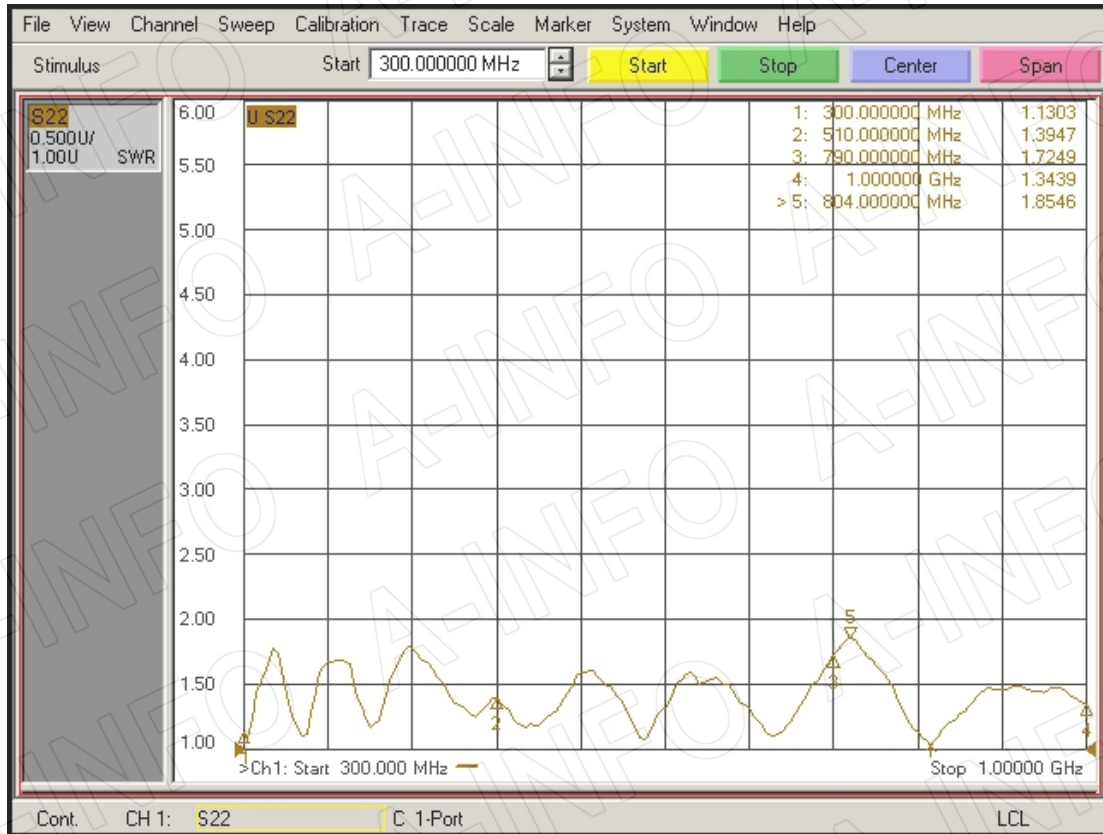
### 1. Gain



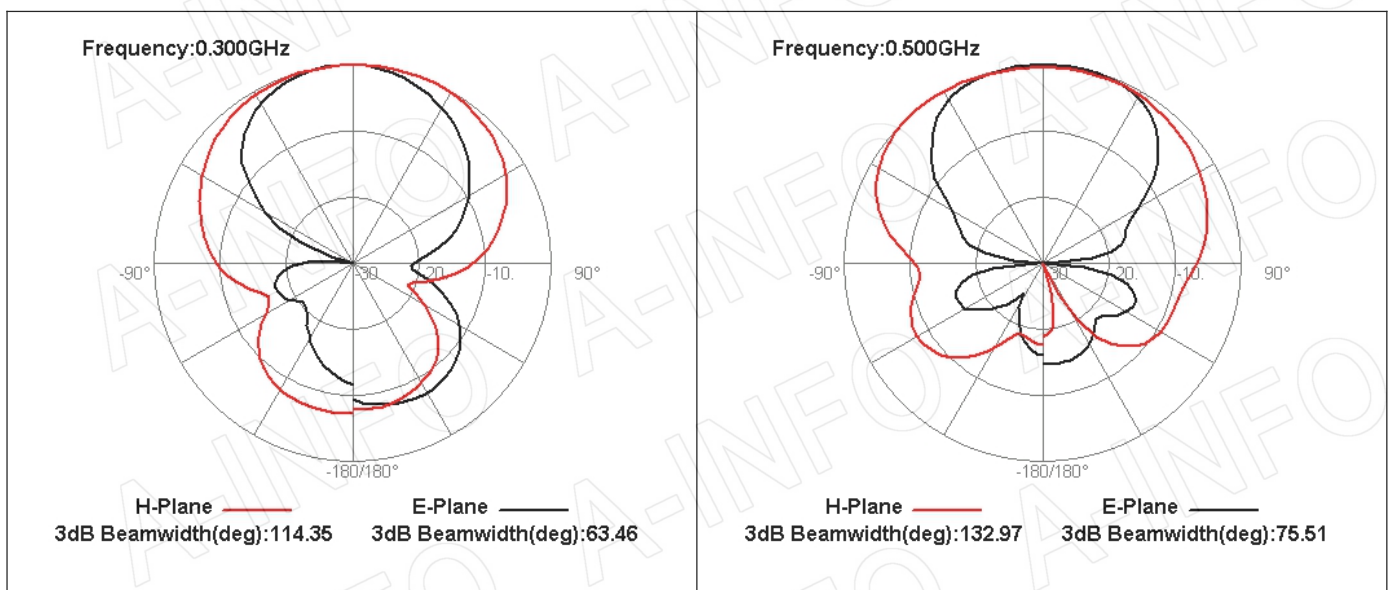
### 2. Antenna Factor



### 3. VSWR



### 4. Pattern



**AINFO Inc.**

China(Beijing): Tel: (+86) 10-6266-7326,  
China(Chengdu): Tel: (+86) 28-8519-2786,  
USA: Tel: (+1) 949-639-9688,

Page 6 of 7

(+86) 10-6266-7327 Fax: (+86) 10-6266-7379  
(+86) 28-8519-3044 Fax: (+86) 28-8519-3068  
(+1) 949-639-9608 Fax: (+1) 949-639-9670

Website: [www.ainfoinc.com](http://www.ainfoinc.com)  
Email: [sales@ainfoinc.com](mailto:sales@ainfoinc.com)

